

# John Deere Conversion to 2014 8320RT,8345RT,8370RT Powershift Trans.

When mounting the API left front pan bracket, the bracket will need to bolt directly to the frame of the tractor with the John Deere step bracket mounting to the outside of the API bracket.

When mounting the API right front pan bracket, the provided Power Shift spacer will need to go direct to the frame of the tractor then the API right front bracket will go on the outside of the spacer. Then the John Deere fuel filter bracket (if equipped or if applicable) mounting to the outside of the API bracket using the top hole of the API bracket and using the provided spacer behind the top hole of the JD fuel filter bracket.

Limitations may apply. Please consult  
API Sales at 800-288-1117.

CONV ID: JD-8TRTPS-14CU-INB-CONV

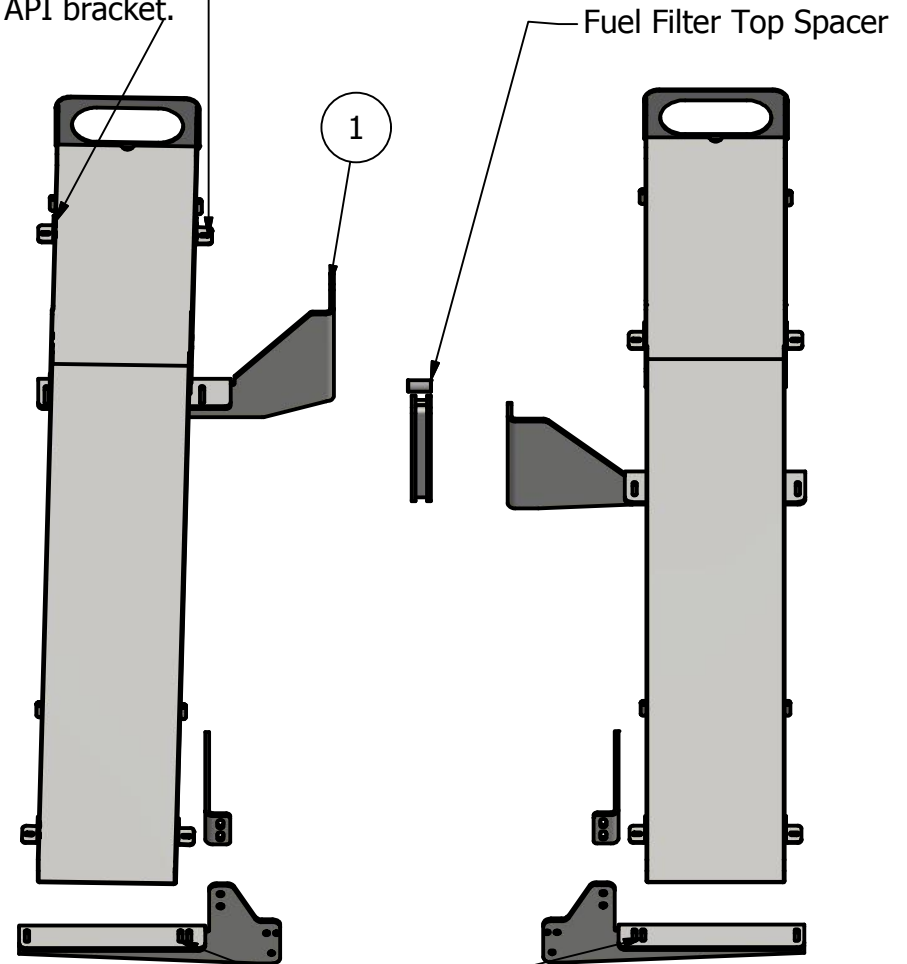
Bolt List		
QTY	Description	Placement
1	20 mm x 120 mm x 10.9 Bolts	RH Front Bracket to Tractor
2	JD 8RT Pan Tabs	Pan to Brackets
4	3/8in x 1in Carriage Bolts	Tabs to Pan
4	3/8in Flange Nut	
1	JD 8RT Fuel Filter Top Spacer x 3" Long	RH Top Hole of Trans.

PARTS LIST			
ITEM	QTY	PART NUMBER	DESCRIPTION
1	1	10-1724	2014 Front Pan Bracket LH JD 8RT

Price List  
\$330.00

Front

Re-drill 7/16" holes on pan to align tabs with front LH API bracket.



Re-drill 9/16" bolt holes if necessary.