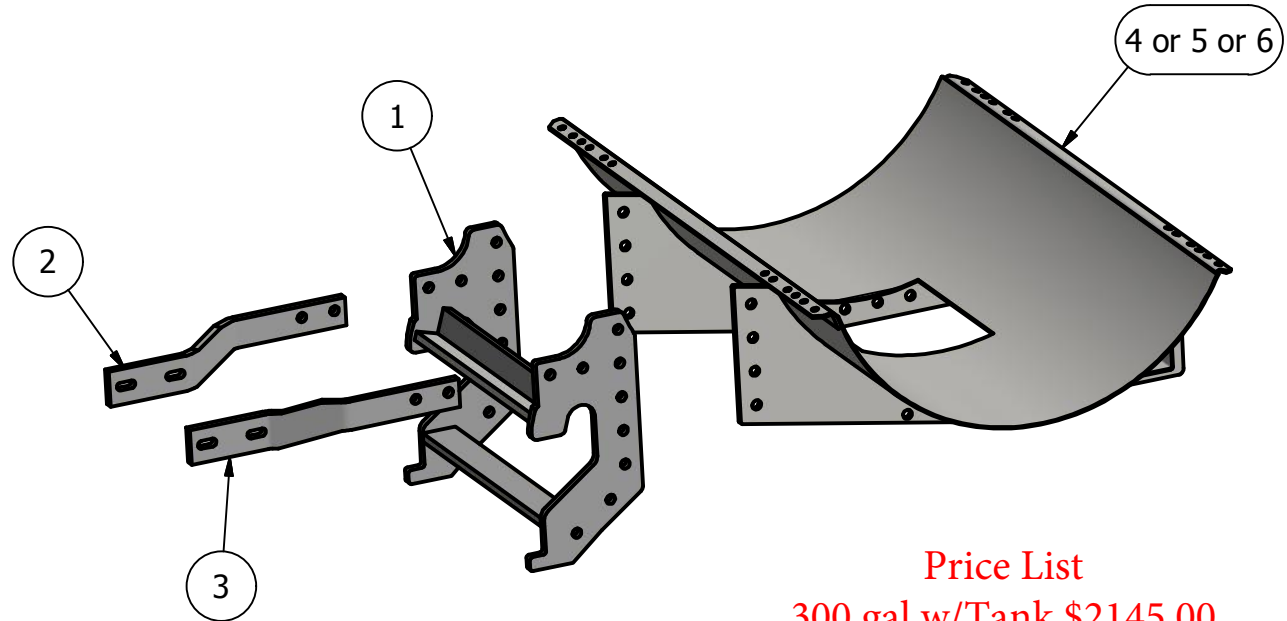


# Front Mount Cat MT 600B

MT635B, MT645B, MT655B, MT665B

## PARTS LIST

| ITEM | QTY | PART NUMBER | DESCRIPTION                   |
|------|-----|-------------|-------------------------------|
| 1    | 1   | 30-1300     | Cat MT600 b & c Series Hook   |
| 2    | 1   | 30-1702L    | MT 600 Cat B FM Side Brace LH |
| 3    | 1   | 30-1702R    | MT 600 Cat B FM Side Brace RH |
| 4    | 1   | 20-1011     | 300 Saddle                    |
| 5    | 1   | 20-1012E    | 300 Ellip Saddle              |
| 6    | 1   | 20-1013     | 400 Saddle                    |



300 ID: AMC-MT600B-0508-FM-300R  
 300E ID: AMC-MT600B-0508-FM-300E  
 400 ID: AMC-MT600B-0508-FM-400R

**Price List**  
 300 gal w/Tank \$2145.00  
 300 gal Elliptical w/Tank \$2403.00  
 400 gal w/Tank \$2436.00

### Bolt List

| QTY | Description                | Placement                  |
|-----|----------------------------|----------------------------|
| 4   | 16 mm x 75 mm Bolts        | Side brace to Tractor      |
| 12  | 3/4 x 2 1/2 Bolts          | Tractor Brackets to Saddle |
| 4   | 16 mm Hardened Flatwashers |                            |
| 12  | 3/4" Lockwashers           |                            |
| 12  | 3/4" Nuts                  |                            |
| 2   | Nylon Straps               | Tank to Saddle             |

Limitations may apply. Please  
 consult API Sales at  
 800-288-1117.