

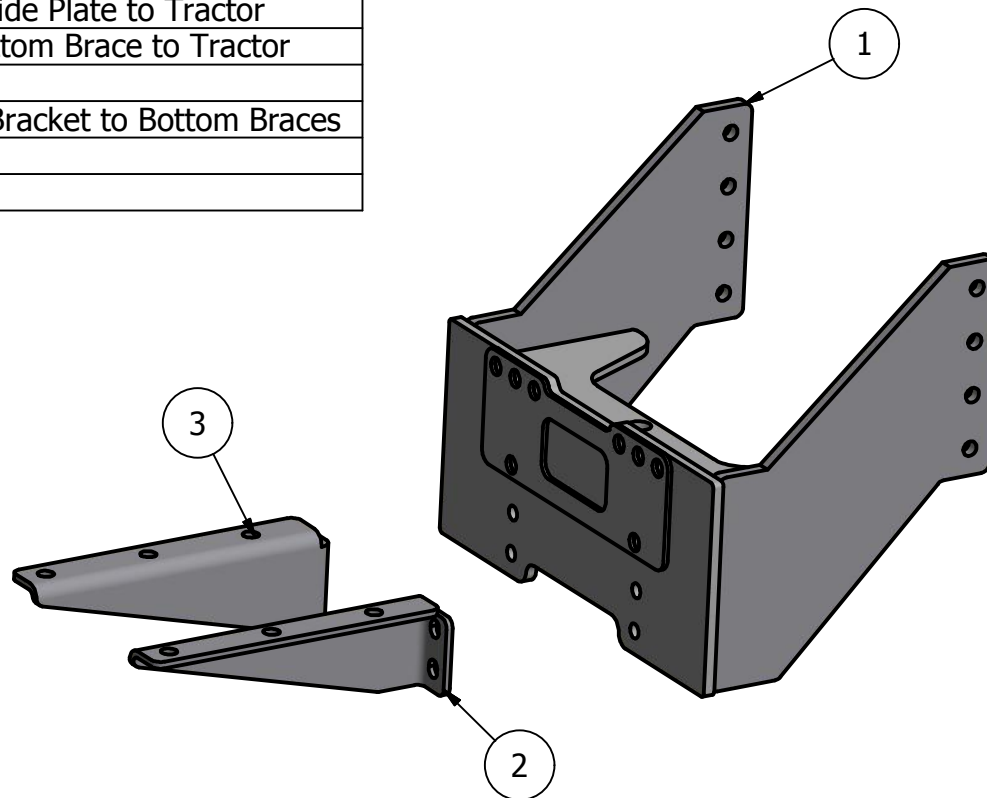
**Front Mount Conv.**  
**Case IH**  
**Magnum**  
**2011-Current**  
**235,250,260,280,**  
**290,310,315,340**

PARTS LIST			
ITEM	QTY	PART NUMBER	DESCRIPTION
1	1	20-1603	Magnum 2011 Front Bracket
2	1	20-1710R	Magnum 2011 FM Bottom Brace RH
3	1	20-1710L	Magnum 2011 FM Bottom Brace LH

**Price List**  
**\$1006.00**

Limitations may apply. Please consult API Sales at 800-288-1117.

Bolt List		
QTY	Description	Placement
8	20 mm x 60 mm Bolts	Side Plate to Tractor
6	20 mm x 45 mm Bolts	Bottom Brace to Tractor
14	20 mm Harden Flatwashers	
4	3/4 x 2 1/2 Bolts	Front Bracket to Bottom Braces
4	3/4 in Lock Washers	
4	3/4 in Nuts	



CONV ID: CS-MAGMX-11CU-FM-CONV