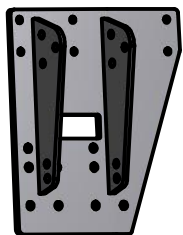


# Cross Mount Case IH Magnum

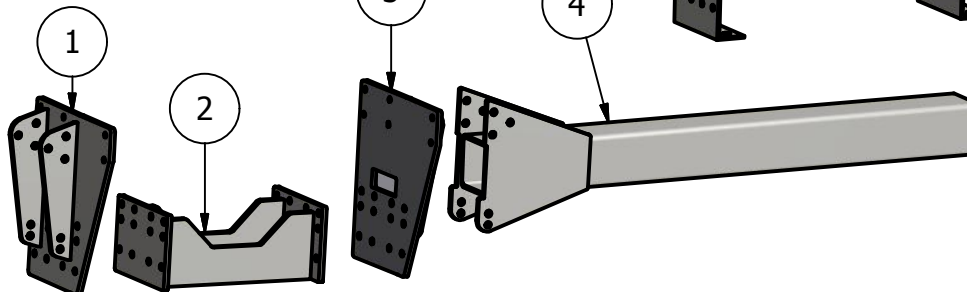
7110,7120,7130,7140,7150  
7210,7220,7230,7240,7250  
8910,8920,8930,8940,8950

Bolt List

QTY	Description	Placement
12	5/8 x 5 1/2 Bolts	Side Plate to Tractor
24	3/4 x 2 1/2 Bolts	Side Plates to Undertruss
20	3/4 x 2 1/2 Bolts	Side plate to Tube
4	1 x 7 x 9 U Bolts	Angle to Tube
16	3/4 x 2 Bolts	Saddle to Angle
16	3/8 x 1 Bolts	Top Channel to Saddle
8	1 in Lock Washers	
8	1 in Nuts	
60	3/4 in Lock Washers	
60	3/4 in Nuts	
12	16 MM Harden Flat Washers	
12	5/8 in Nutd	
16	3/8 in Flange Nuts	
4	Nylon Straps	Tank to Saddle



Front



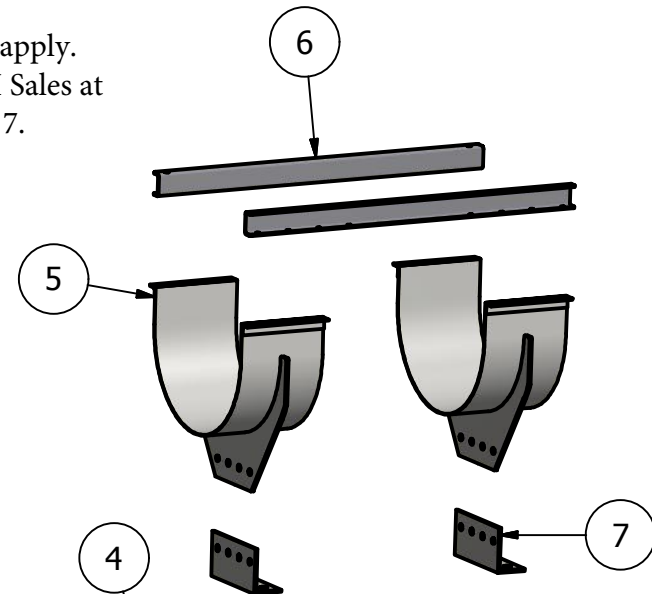
PARTS LIST

ITEM	QTY	PART NUMBER	DESCRIPTION
1	1	20-1410R	Case MAG HC Side Plate R
2	1	20-1201	Magnum Undertruss
3	1	20-1410L	Case MAG HC Side Plate L
4	2	20-1022	7x7x6' tube, black
5	4	20-1015	250 Cross Mount Saddle Black
6	4	20-1016	7 ga. Channel
7	4	60-1033	4 x 6 Angle

Price List

250 gal w/Tanks \$4800.00

Lmitations may apply.  
Please consult API Sales at  
800-288-1117.



250 ID: CS-MAG7189-8798-CM-250C