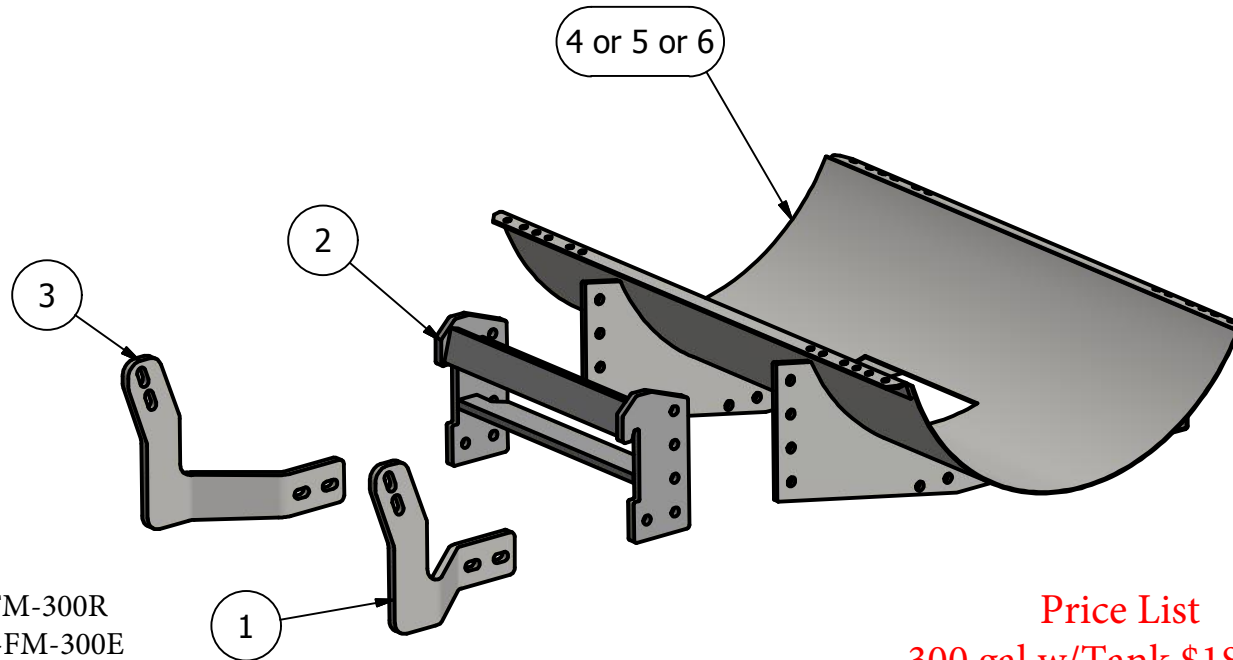


Front Mount Massey Ferguson

8650,8660,8670,8680,8690

PARTS LIST

ITEM	QTY	PART NUMBER	DESCRIPTION
1	1	30-1706R	MF 8600 Front Side Brace RH
2	1	30-1303	MF 8600 Front Hook
3	1	30-1706L	MF 8600 Front Side Brace LH
4	1	20-1011	300 Saddle
5	1	20-1012E	300 Ellip Saddle
6	1	20-1013	400 Saddle



300 ID: AMC-MF8600-0913-FM-300R
 300E ID: AMC-MF8600-0913-FM-300E
 400 ID: AMC-MF8600-0913-FM-400R

Price List
 300 gal w/Tank \$1870.00
 300 gal Elliptical w/Tank \$2128.00
 400 gal w/Tank \$2161.00

Limitations may apply. Please consult API Sales at 800-288-1117.

Bolt List

QTY	Description	Placement
4	20 mm x 60 mm Bolts	Side brace to Tractor
8	3/4 x 2 1/2 Bolts	Tractor Brackets to Saddle
2	3/4 x 3 1/2 Bolts	Tractor Side Brace to Hook
4	20 mm Hardened Flatwashers	
10	3/4" Lockwashers	
10	3/4" Nuts	
2	Nylon Straps	Tank to Saddle