

Side Mount Dual Case IH MX Series

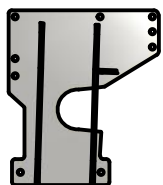
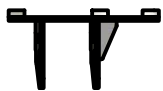
180,200,220,240,270 (1999-2002)
210,230,255,285 (2003-2005)
215,245,275,305 (2006-2007)

Magnum

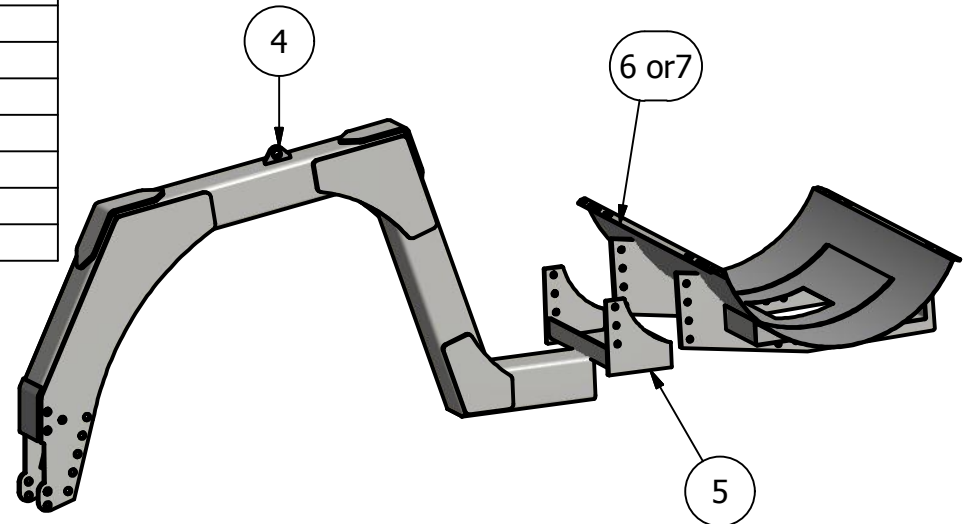
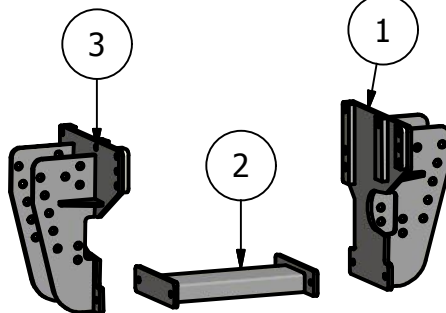
215,245,275,305,335 (2008-2011)

Bolt List

| QTY | Description | Placement |
|-----|--------------------------|--------------------------------|
| 12 | 20 mm x 90 mm Bolts | Side Plate to Tractor |
| 2 | 20 mm x 110 mm Bolts | Step to Side Plates to Tractor |
| 14 | 20 mm Harden Flatwashers | |
| 4 | 3/4 x 2 1/2 Bolts | Side Plates to Undertruss |
| 28 | 1 x 2 1/2 Gd 8 Bolts | Side plate to Tube |
| 12 | 1 x 3 Gd 8 Bolts | Side Plate to Tube |
| 40 | 1 in Lock Washers | |
| 40 | 1 in Nuts | |
| 4 | 3/4 x 7 x 9 U Bolts | Conv to Tube |
| 12 | 3/4 x 2 1/2 Bolts | Saddle to Conv |
| 16 | 3/4 in Lock Washers | |
| 16 | 3/4 in Nuts | |
| 4 | Nylon Straps | Tank to Saddle |



FRONT



300 ID: CS-MAGMX-9911-SMD-300R
400 ID: CS-MAGMX-9911-SMD-400R

PARTS LIST

| ITEM | QTY | PART NUMBER | DESCRIPTION |
|------|-----|-------------|--------------------------------|
| 1 | 1 | 20-1414 L | Case MX New Style Side Plate L |
| 2 | 1 | 20-1205 | Case MX Undertruss New style |
| 3 | 1 | 20-1414 R | Case MX New Style Side Plate R |
| 4 | 2 | 20-1029 | Extended Dual Tube 12-2012 |
| 5 | 2 | 20-1800 | Saddle Conv. |
| 6 | 2 | 20-1011 | 300 Saddle |
| 7 | 2 | 20-1013 | 400 Saddle |

Price List

High Clearance w/Front Duals

300 gal w/Tanks \$6975.00

400 gal w/Tanks \$7505.00

Limitations may apply. Please
consult API Sales at 800-288-1117.