

2

↓

1

# Front Side Mount Case IH Steiger 335 Steiger 330 STX 330, STX 280 STX 325, STX 275 (Small Frame)

PARTS LIST			
ITEM	QTY	PART NUMBER	DESCRIPTION
1	1	20-1501	Case STX 90 deg sm axle plate
2	1	20-1025	7" x 7" Tube 16' Long
3	1	20-1701R	Case STX Sm. Std tube brace R
4	1	20-1701L	Case STX Sm. Std tube brace L
5	1	20-1403*SFL	Case STX Sm Frame Side Plate L
6	1	20-1403*SFR	Cast STX Sm Frame Side Plate R
7	4	60-1033	4 x 6 Angle
8	2	20-1011	300 Saddle
9	2	20-1013	400 Saddle

Bolt List

QTY	Description	Placement
4	20 mmx 60 mm x 10.9 Bolts	Side Plate to Tractor
4	20 mm x 45 mm x 10.9 Bolts	Axle Plate to Front Axle
8	20 mm Hardened Flat Washers	
8	12 mm x 40 mm x 10.9 Bolts	Side Plates to Tractor
8	12 mm Hardened Flat Washers	
8	3/4 x 2 1/2 Bolts	Axle Plate to Side Braces
16	3/4 x 2 1/2 Bolts	Angle toBottom of Saddle
4	3/4 x 7 x 9 U-bolts	Axle side Braces to 7 x 7 Tube
32	3/4 in Lock Washers	
32	3/4 in Nuts	
4	1 x 7 x 9 U-bolts	Saddle Angle to Tube
4	1 x 7 x 9 U Bolt	7 x 7 Tube to Tractor Side Plates
16	1" Lockwashers	
16	1" Nuts	
4	Nylon Straps	Tank to Saddle

Price List

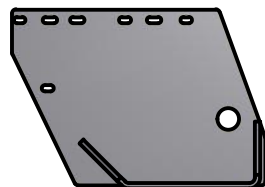
300 gal w/Tanks \$5205.00

400 gal w/Tanks \$5765.00

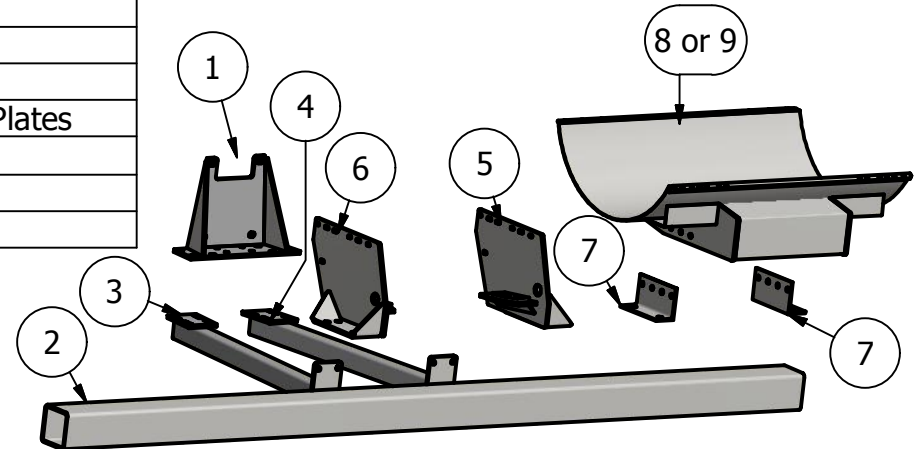
Limitations may apply. Please  
consult API Sales at  
800-288-1117.

300 ID: CS-STXSWSF-0210-FSM-300R

400 ID: CS-STXSWSF-0210-FSM-400R



Front



2

↑

1