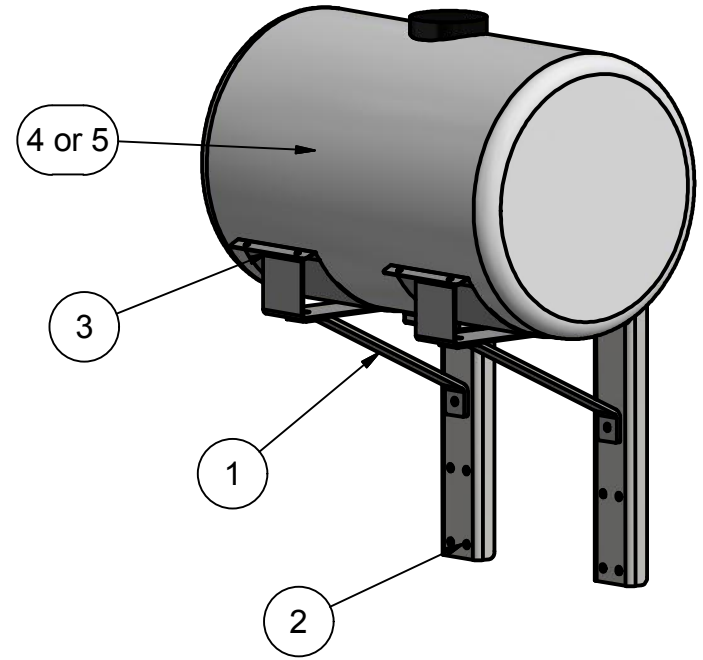
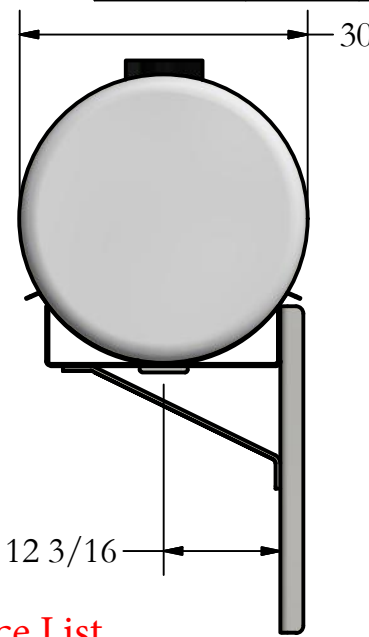
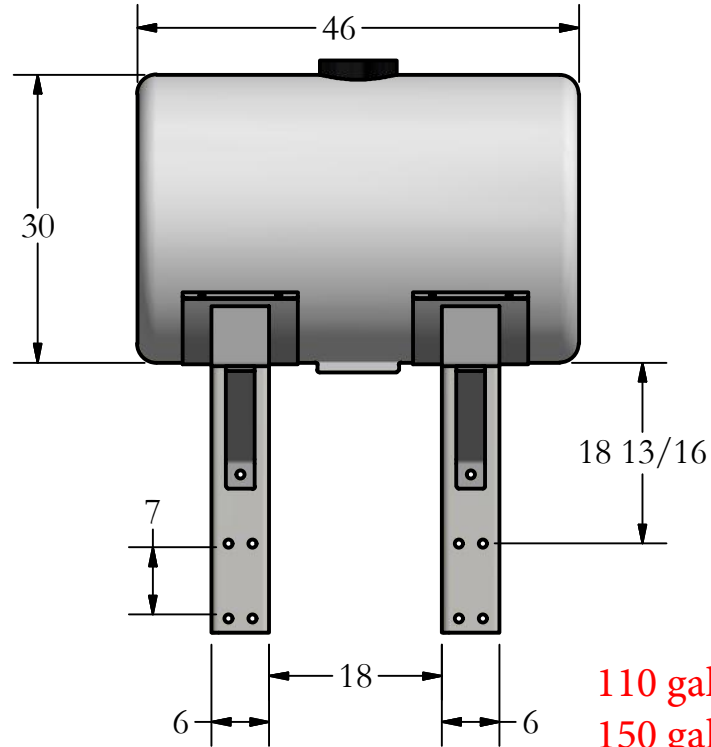


Tool Bar Tank Mount

Parts List			
ITEM	QTY	PART NUMBER	DESCRIPTION
1	2	60-1030	1/2" x 3" FB
2	2	60-1031	6" Channel
3	2	60-1032	Saddle
4	1	WHD 150	150 Gal. Poly. Tank
5	1	WHD 110	110 Gal. Poly. Tank



Price List
110 gal w/Tank \$1122.00
150 gal w/Tank \$1182.00

Limitations may apply.
 Please consult API Sales at
 800-288-1117.

Bolt List		
QTY	Description	Placement
8	3/4 x 1 3/4 Bolts	Saddle & Brace to Support Channel
4	7 x 7 x 3/4 U Bolt	Bolt Channel to tool Bar
16	3/4 " Lock Washer	
16	3/4" Nuts	
2	Nylon Straps	

Agri-Products Inc.
York, Ne
1-800-288-1117