

2



1

Inboard Mount John Deere 2014-Current 8320RT,8345RT,8370RT Powershift Trans.

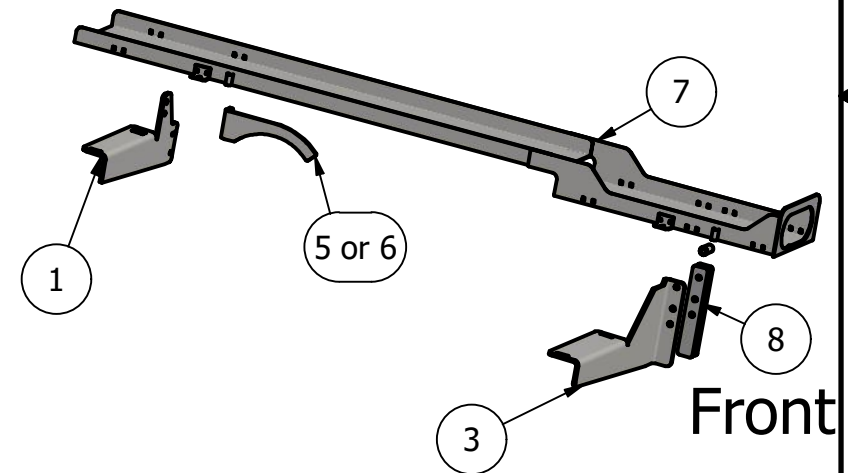
210 ID: JD-8TRTPS-1420-INB-210S

PARTS LIST

ITEM	QTY	PART NUMBER	DESCRIPTION
1	1	10-1720R	Rear Pan Bracket JD 8 RT
2	1	10-1720L	Rear Pan Bracket JD 8 RT
3	1	10-1722R	Front Pan Bracket RH JD 8 RT
4	1	10-1724	2014 Front Pan Bracket LH JD 8RT
5	1	10-1721R	Axle Brace JD 8 RT
6	1	10-1721L	Axle Brace JD 8 RT
7	2	10-1019	JD 8RT Inside Pan
8	1	10-1913	Power Shift Spacer
9	8	10-1032	JD 8RT Inboard Pan Tab

Bolt List

QTY	Description	Placement
1	20 mm x 60 mm x 10.9 Bolts	LH Front Bracket to tractor Trans
4	20 mm x 120 mm x 10.9 Bolts	RH Front Bracket to Tractor
2	20 mm x 75 mm x 10.9 Bolts	L H Front Bracket to Tractor Trans Through Step Bracket
7	20 mm Harden Flatwashers	Front Bracket and Axle Brace
6	16 mm x 45 mm x 10.9 Bolts	Rear Bracket to Tractor
6	16 mm Harden Flatwashers	
4	3/4 x 2 1/2 Bolts	Rear Bracket to Rear Axle Brace
4	3/4 in Lock Washers	
4	3/4 in Nuts	
8	1/2 x 1 1/2 Bolts	Tabs to Brackets
16	1/2 in Flat Washers	
8	1/2 in Lock Washers	
8	1/2 in Nuts	
4	Nylon Straps	Hold tank to Pan
8	1/2 in J bolts	
8	1/2 in Lock Nuts	
16	3/8in x 1in Carriage Bolts	Tabs to Pan
16	3/8in Flange Nut	
1	JD 8RT Fuel Filter Top Spacer x 3"	RH Top Hole of Trans.



List Price: \$5,016.00

Limitations may apply.
Please consult API Sales at
800-288-1117

2



1