

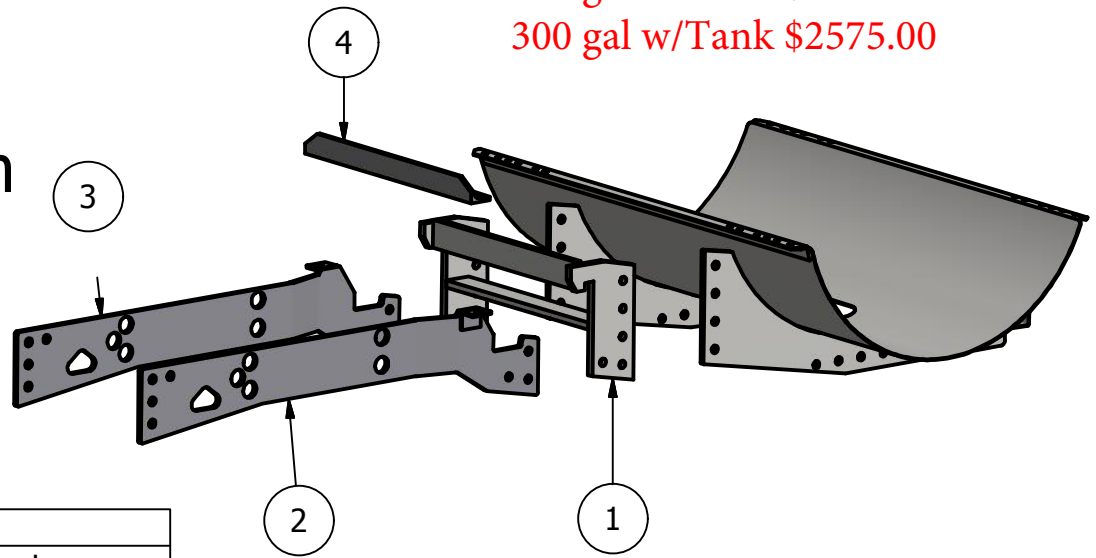
Front Mount w/Front Weight Bracket

John Deere
6120,6220,6320,6420
6230,6330,6430
6230 Premium,6330
Premium,6430Premium

150 ID: JD-6000W-0212-FM-150R
300 ID: JD-6000W-0212-FM-300R

PARTS LIST			
ITEM	QTY	PART NUMBER	DESCRIPTION
1	1	10-1302	JD 7000/ 30-60 Hook
2	1	10-1707L	JD 6220-6420 FM Side Brace LH
3	1	10-1707R	JD 6220-6420 FM Side Brace RH
4	1	10-1712	JD 6220-6420 FM Top Brace
5	1	10-1009	150 Gal Saddle
6	1	10-1011	300 Gal Saddle

Price List
150 gal w/Tank \$2390.00
300 gal w/Tank \$2575.00



Bolt List		
QTY	Description	Placment
12	20mm x 45mm x 10.9 Bolts	Side Brace to Tractor
12	20mm Hardened Flatwashers	Side Plate to Tractor
4	20mm Nuts	
8	3/4 x 2 1/2 Bolts	Saddle to Hook
2	3/4 x 3 Bolts	Saddle to Hook
10	3/4 Lockwashers	
10	3/4 Nuts	
2	5/8 x 2 Gr 5 Bolt	Top Brace to Side Braces
2	5/8 Hex Nut	
2	5/8 Lockwashers	
2	Nylon Straps	

Limitations may apply. Please consult
API Sales at 800-288-1117.