

2



1

Side Mount

John Deere with IVT Transmission

8130,8230,8330,8430

8225R,8245R,8270R,8295R,8320R

8235R,8260R,8285R,8310R,8335R,

8320R,8370R,8345R,8360R

PARTS LIST

ITEM	QTY	PART NUMBER	DESCRIPTION
1	2	10-1022	7x7x6' tube, black
2	4	10-1015	Cross Mount Saddle
6	4	10-1016	7 ga. Channel
7	4	60-1033	4 x 6 Angle
3	1	10-1506*IVTL	JD 8030 IVT Side Plate L
4	1	10-1202IVT	JD 8030 IVT Undertruss
5	1	10-1506*IVTR	JD 8030 IVT Side Plate R

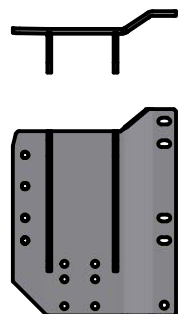
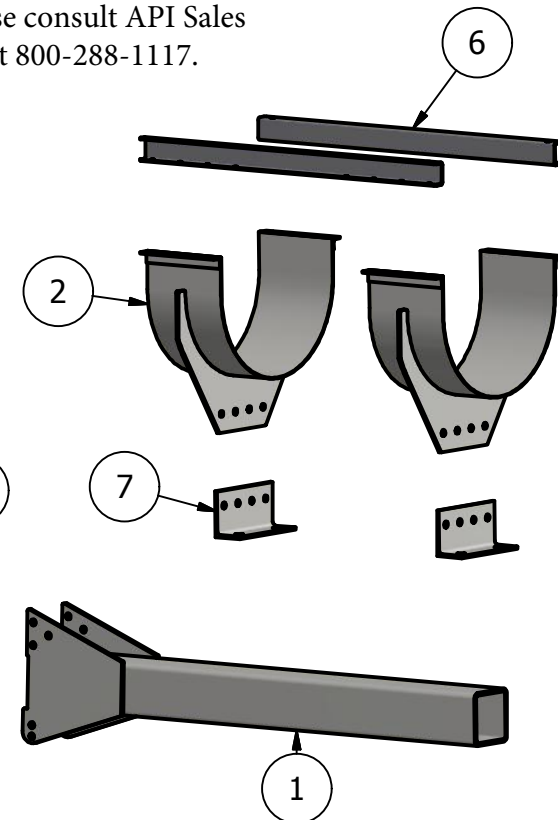
Price List

250 gal w/Tanks \$6510.00

Bolt List

QTY	Description	Placement
24	3/4 x 2 1/2 Bolts	Undertruss to Tractor side Plates
20	3/4 x 2 1/2 Bolts	Tubes to Tractor Plates
16	3/4 x 2 1/2 Bolts	Angle to Saddle
4	1 in x 7 x 9 Ubolts	Angle to Tube
16	20mm x 60mm x 10.9 Bolts	Side Plate to Tractor
8	1 in Lock washers	
8	1 in Nuts	
60	3/4 Lockwashers	
60	3/4 Nuts	
16	20mm Hardened Flatwashers	
16	3/8 x 1 Bolts	Channel to Saddle
16	3/8 in Flange Lock Nuts	
2	3M Non-Skid Pads	on Tubes
4	Nylon Strap Assembly	

Limitations may apply.
Please consult API Sales
at 800-288-1117.



Front

250 ID: JD-8RIVT-06CU-CM-250C

2



1

B

B

A

A