

2



1

Side Track Mount 500 Gal.

CAT Challenger

MT735, MT745, MT755, MT765

MT745B, MT755B, MT765B

MT755C, MT765C

MT755D, MT765D

MT755E, MT765E, MT775E

MT738, MT740, MT743

Fendt Vario Series

938 MT, 940 MT, 943 MT

Price List

500 gal Rectangular w/Tanks \$9705.00

500 ID: AMC-MT700-0211-OT-500S

Bolt List

QTY	Description	Placement
8	1/2 x 6 1/2 Grade 5 Bolts	Bracket to Tractor
16	1" x 3" Bolts	Tank Brackets to Saddle Frame
16	1" Lock Washer	
16	1" Hex Nuts	
16	1/2" x 1 1/2" Bolts	Saddle to Saddle Frame
8	1/2" x 5" Bolts	Tank straps to Saddle
48	1/2" Flat Washer	
32	1/2" Lock Washer	
32	1/2" Nut	

2

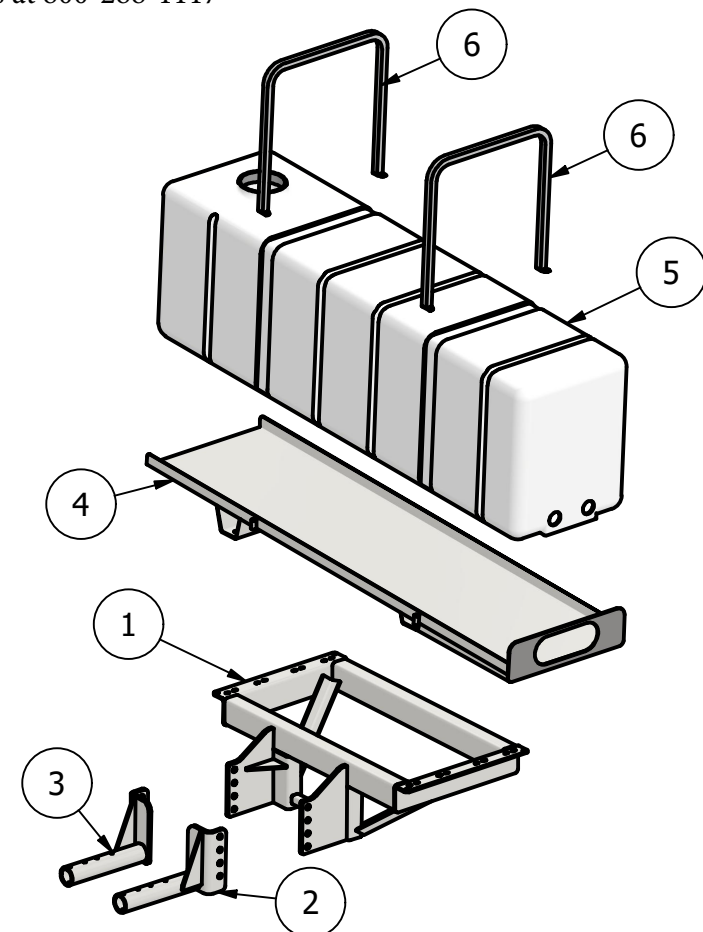


1

PARTS LIST

ITEM	QTY	PART NUMBER	DESCRIPTION
1	2	20-1894	Challenger / Fendt 500 gal Side Bracket
2	2	30-1613 L	Tractor Bracket LH
3	2	30-1613 R	Tractor Bracket RH
4	2	20-1899S	MT 700-800 Side Mount Pan
5	2	White 500 Gal. Tank API	30 x 36 x 120 Poly. Tank 500 Gal
6	4	Tank Strap Tube 500 gal	JD 8RT Tank Straps

Limitations may apply. Please consult API sales at 800-288-1117



B

B



A

A