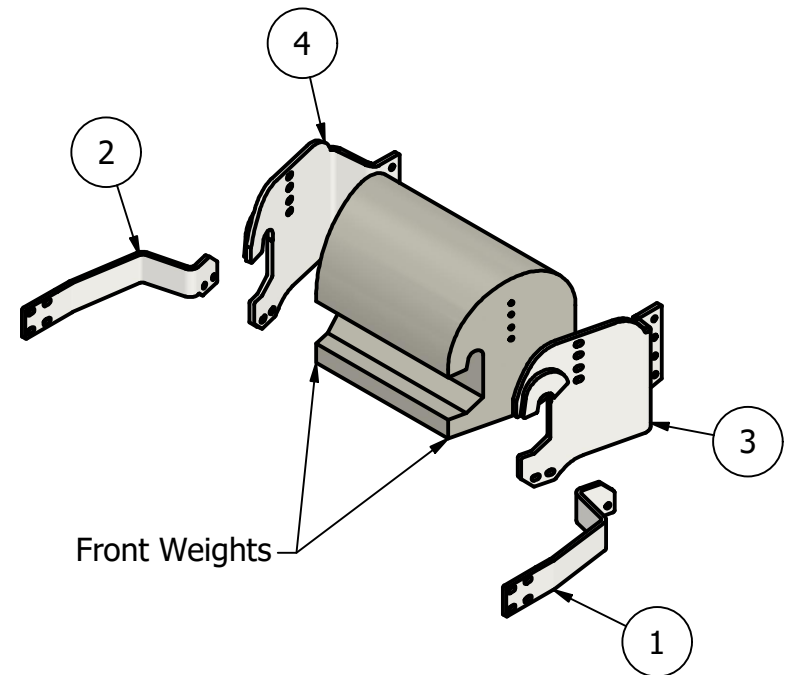


2  
 Front Mount Conv.  
 Cat Challenger  
 MT 738,MT 740,MT 743  
 Fendt Vario Series  
 938 MT,940 MT,943 MT  
 1

PARTS LIST			
ITEM	QTY	PART NUMBER	DESCRIPTION
1	1	30-1708R	MT738 Series FM Side Brace RH
2	1	30-1708L	MT738 Series FM Side Brace LH
3	1	30-1304R	MT738 Series FM Side Bracket RH
4	1	30-1304L	MT738 Series FM Side Bracket LH

Price List  
 \$950.00

CONV ID: AMC-MT700-18CU-FM-CONV



Bolt List		
QTY	Description	Placement
4	16mm x 45mm Bolt	FM SIDE BRACKET TO FRONT WEIGHTS
4	5/8 Flat Washer	
8	20mm x 60mm Bolt	SIDE BRACE TO SIDE OF TRACTOR
8	20mm Flat Washer	
4	3/4 x 2 1/2 Bolt	FM SIDE BRACE TO FM SIDE BRACKET
4	3/4 Lock Washer	
4	3/4 Hex Nut	

Limitations may apply. Please consult  
 API Sales at 800-288-1117.