

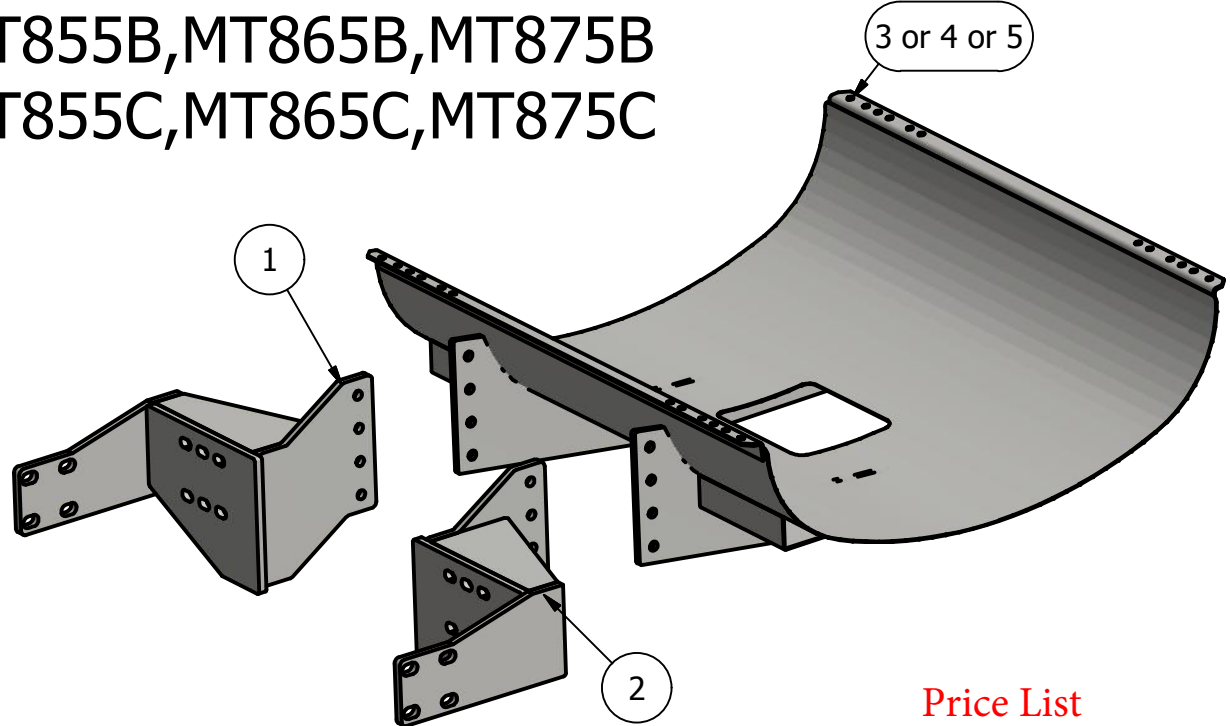
# Front Mount CAT Challenger

MT835,MT845,MT855,MT865

MT835B,MT845B,MT855B,MT865B,MT875B

MT835C,MT845C,MT855C,MT865C,MT875C

PARTS LIST			
ITEM	QTY	PART NUMBER	DESCRIPTION
1	1	30-1603L	Cat MT 800 FM Bracket L
2	1	30-1603R	Cat MT 800 FM Bracket R
3	1	20-1011	300 Saddle
4	1	20-1013	400 Saddle
5	1	20-1012E	300 Ellip Saddle



300 ID: AMC-MT800-0211-FM-300R  
 300E ID: AMC-MT800-0211-FM-300E  
 400 ID: AMC-MT800-0211-FM-400R

Bolt List		
QTY	Description	Placement
12	20 mm x75 mm Bolts	Tractor Brackets to Tractor
8	24 mm x 70 mm Bolts	Brackets to side of Tractor
8	3/4 x 2 1/2 Bolts	Tractor Brackets to Saddle
12	20 mm Hardened Flatwashers	
8	24 mm Hardened Flatwashers	
8	3/4" Lockwashers	
8	3/4" Nuts	
2	Nylon Straps	Tank to Saddle

**Price List**  
 300 gal w/Tank \$2575.00  
 300 gal Elliptical w/Tank \$2884.00  
 400 gal w/Tanks \$2924.00

Limitations may apply. Please consult API Sales at 800-288-1117.