

2



1

Front Mount CAT Challenger

MT835,MT845,MT855,MT865

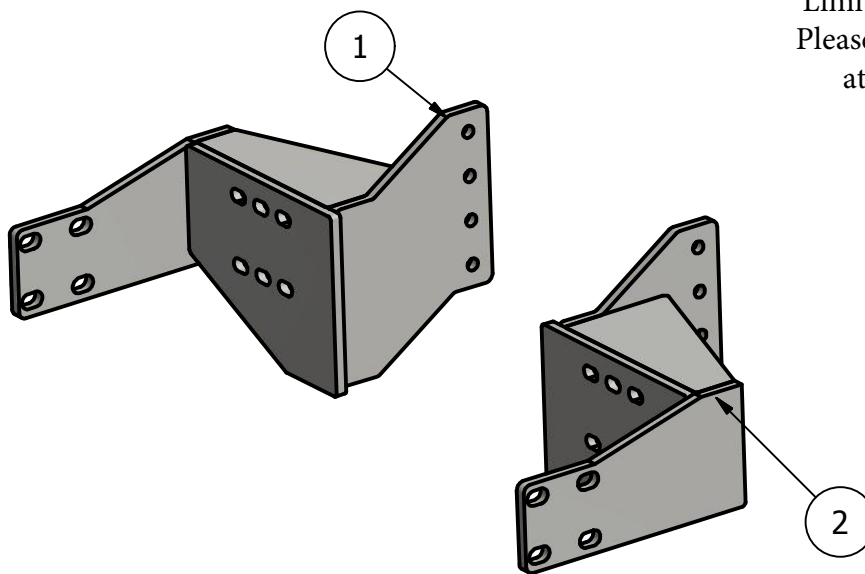
MT835B,MT845B,MT855B,MT865B,MT875B

MT835C,MT845C,MT855C,MT865C,MT875C

PARTS LIST			
ITEM	QTY	PART NUMBER	DESCRIPTION
1	1	30-1603L	Cat MT 800 FM Bracket L
2	1	30-1603R	Cat MT 800 FM Bracket R

Price List
\$1208.00

Limitations may apply.
Please consult API Sales
at 800-288-1117.



Bolt List		
QTY	Description	Placement
12	20 mm x75 mm Bolts	Tractor Brackets to Tractor
8	24 mm x 75 mm Bolts	Brackets to side of Tractor
12	20 mm Hardened Flatwashers	
8	24 mm Hardened Flatwashers	

CONV ID: AMC-MT800-0211-FM-CONV

2



1

B

B

A

A