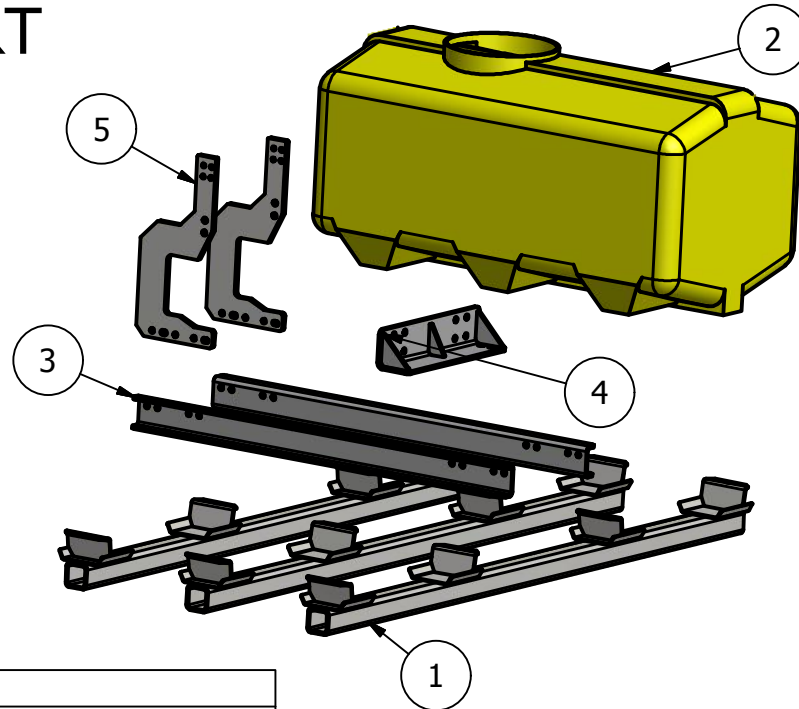


Front Side Mount
John Deere
8230T,8330T,8430T
8295RT,8320RT,8345RT
8310RT,8335RT,8360RT

PARTS LIST			
ITEM	QTY	PART NUMBER	DESCRIPTION
1	3	10-1024	JD WT 4"X4"X114" TUBE
2	2	YHD 300 PCO	300 gal leg tank
3	2	10-1907	JD WT 600 Channel 71 in
4	1	10-1904	FMSB8000RT Front Plate
5	2	10-1709 FB	Front Bracket



300 PCO ID: JD-8TRT-0613-FSM-300P

Bolt List		
QTY	Description	Placement
6	20mm x 180mm Bolts	Weight Bracket to Front Plate to tractor
4	20mm x 60mm Bolts	Front bracket to Side of Engine
8	16mm x 75mm Bolts	Front Bracket to Side of Engine
12	3/4 x 2 1/2 Bolts	Channels to Tractor Brackets
6	3/4 x 4 U bolts	Tubes to Channels
24	3/4 in Lockwashers	
24	3/4 in Nuts	
10	20 mm Harden Flatwashers	
8	16mm Harden Flatwashers	
4	Nylon Straps	Tank to Saddle

Price List
300 gal w/Tank \$6336.00

Limitations may apply. Please
 consult API Sales at
 800-288-1117.