

2



1

Front Side Mount Case IH

High Power Wheel Steiger 600,550,500

PARTS LIST

ITEM	QTY	PART NUMBER	DESCRIPTION
1	1	20-1502	Case STX/Steiger Axle Plate Lg & XL Frame
2	1	20-1025	7 x 7 x 16' Tube
3	1	20-1709R	Axle Brace Tube RH 2011
4	1	20-1709L	Axle Brace Tube LH 2011
5	4	60-1033	4 x 6 Angle
6	2	20-1013	400 Saddle
7	2	20-1011	300 Saddle
8	1	20-1895 L	High Power 2011 Tractor Bracket
9	1	20-1895 R	High Power 2011 Tractor Brackets

Bolt List

QTY	Description	Placement
6	20 mm x 70 mm x 10.9 Bolts	Side Plate to Tractor
6	20 mm Nuts	
4	1/2 x 2 1/2 Bolts	Side Plate to Tractor
4	1/2 in Lock Washers	
4	1/2 in Nuts	
4	20 mm x 75 mm x 10.9 Bolts	Axle Plate to Front Axle
10	20 mm Hardened Flat Washers	
8	3/4 x 2 1/2 Bolts	Axle Plate to Side Braces
16	3/4 x 2 1/2 Bolts	Angle to Bottom of Saddle
4	3/4 x 7 x 9 U-bolts	Axle side Braces to 7 x 7 Tube
32	3/4 in Lock Washers	
32	3/4 in Nuts	
4	1 x 7 x 9 U-bolts	Saddle Angle to Tube
4	1 x 7 x 9 U Bolt	7 x 7 Tube to Tractor Side Plates
16	1" Lockwashers	
16	1" Nuts	
4	Nylon Straps	Tank to Saddle

Price List

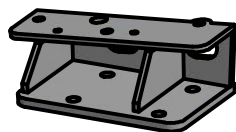
300 gal w/Tanks \$6205.00

400 gal w/Tanks: \$6883.00

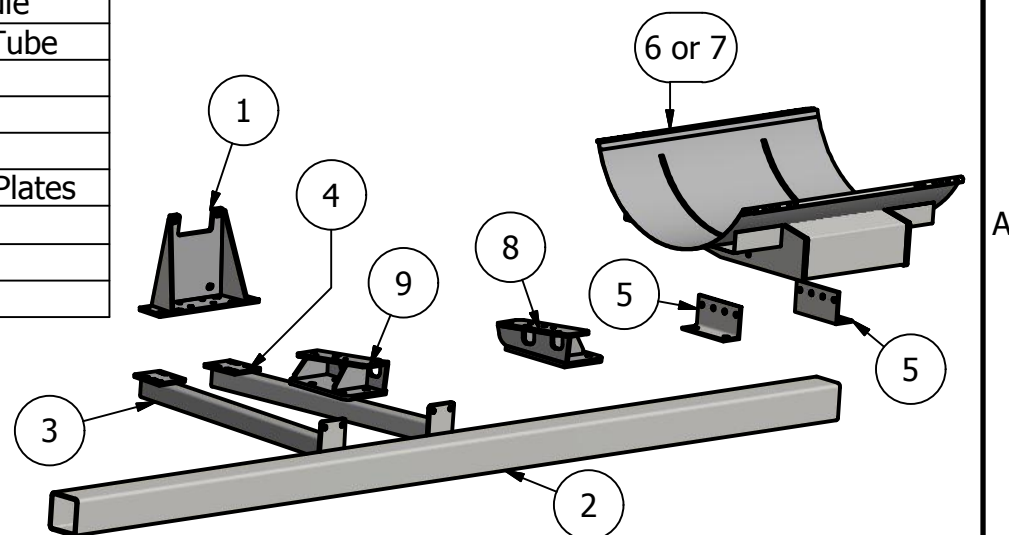
Limitations may apply. Please consult API Sales at 800-288-1117.

300 ID: CS-STXSWHP-1113-FSM-300R

400 ID: CS-STXSWHP-1113-FSM-400R



Front



2



1