

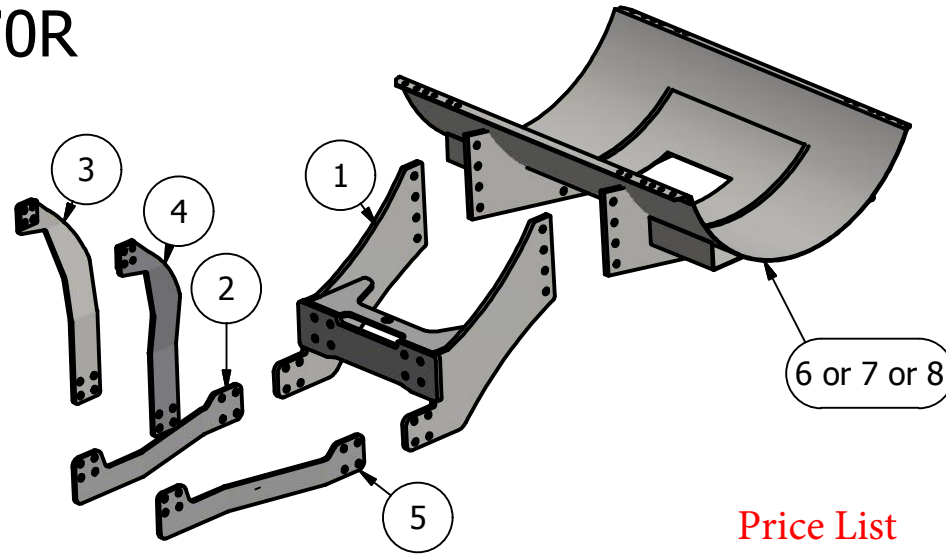
# Front Mount

John Deere

2011-Current 8R Series

8235R,8245R,8260R,8270R,  
8285R,8295R,8310R,8320R,  
8335R,8345R,8360R,8370R

PARTS LIST			
ITEM	QTY	PART NUMBER	DESCRIPTION
1	1	10-1613	JD 2011 8R Front Mount Bracket
2	1	10-1716 L	Bottom Brace 8R 2011
3	1	10-1715 L	JD 2011 8R Front Mount Side Bracket LH a
4	1	10-1715 R	JD 2011 8R Front Mount Side Bracket RH a
5	1	10-1716 R	Bottom Brace 8R 2011
6	1	10-1011	300 Saddle
7	1	10-1012E	300 Ellip Saddle
8	1	10-1013	400 Saddle



300 ID: JD-8R-1120-FM-300R  
300E ID: JD-8R-1120-FM-300E  
400 ID: JD 8R-1120-FM-400R

**Price List**  
300 gal w/Tank \$2775.00  
300 gal Elliptical w/Tank \$3082.00  
400 gal w/Tank \$3122.00

Limitations may apply. Please consult API Sales at 800-288-1117.

### Bolt List

QTY	Description	Placement
8	16mm x 75mm x 10.9 Bolts	Back Side Brace to Tractor
8	16mm Hardened Flatwashers	
8	20mm x 60mm x 10.9 Bolts	Front Bracket to Tractor
8	20mm Hardened Flatwashers	
16	3/4 x 2 1/2 Bolts	Bottom Brace to Back Brace & Front Bracket
8	3/4 x 2 1/2 Bolts	Saddle to Front Bracket
24	3/4 Lockwashers	
24	3/4 Nuts	
2	Nylon Straps	