

# Side Mount John Deere

4030,4230,4430,4630

4040,4240,4440,4640,4840

4050,4250,4450,4650,4850

4055,4255,4455,4555,4755,4955

4560,4760,4960

## PARTS LIST

| ITEM | QTY | PART NUMBER | DESCRIPTION                   |
|------|-----|-------------|-------------------------------|
| 1    | 1   | 10-1509R    | JD 30/60-7000 HC Side Plate R |
| 2    | 1   | 10-1203     | JD 30/60 Undertruss           |
| 3    | 1   | 10-1509L    | JD30/60-7000 HC Side Plate L  |
| 4    | 2   | 10-1022     | 7x7x6' tube                   |
| 5    | 2   | 10-1800     | Saddle Conv.                  |
| 6    | 2   | 10-1011     | 300 Saddle                    |
| 7    | 1   | 10-1013     | 400 Saddle                    |
| 8    | 1   | 30-1903     | Step bottom Bracket           |
| 9    | 1   | 30-1902     | Step Handle                   |

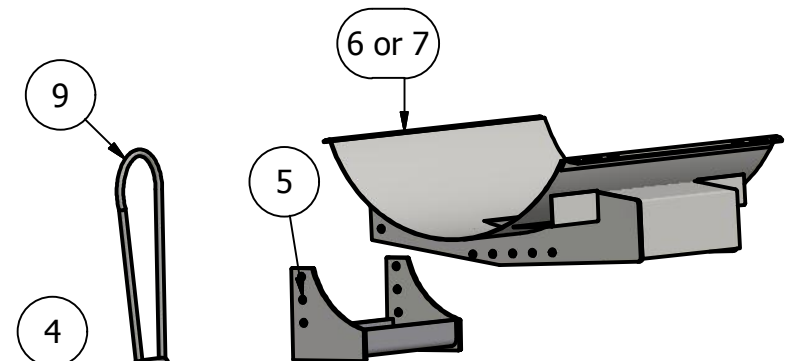
## Price List

300 gal w/Tanks \$6468.00

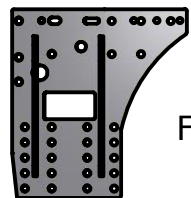
400 gal w/Tanks \$7168.00

## Bolt List

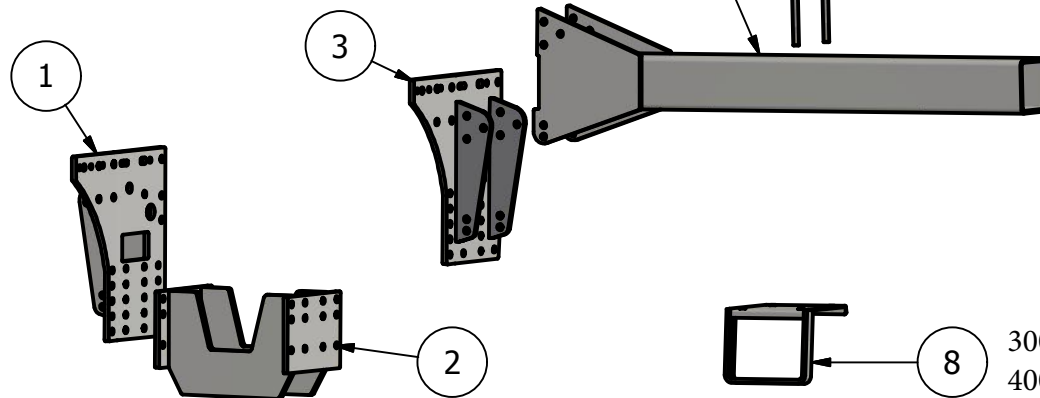
| QTY | Description                | Placement                         |
|-----|----------------------------|-----------------------------------|
| 10  | 5/8 x 2 1/2 Carriage Bolts | Side Plate to Tractor             |
| 24  | 3/4 x 2 1/2 Bolts          | Undertruss to Tractor side Plates |
| 20  | 3/4 x 2 1/2 Bolts          | Tubes to Tractor Plates           |
| 12  | 3/4 x 2 1/2 Bolts          | Saddle Conversion to Saddle       |
| 4   | 3/4 x 7 x 9 Ubolts         | Saddle Conversion to Tube         |
| 64  | 3/4 Lockwashers            |                                   |
| 64  | 3/4 Nuts                   |                                   |
| 10  | 5/8 Lock Washers           |                                   |
| 10  | 5/8 Nuts                   |                                   |
| 2   | 3M Non-Skid Pads           | on Tubes                          |
| 4   | Nylon Strap Assembly       |                                   |



Limitations may apply. Please consult API Sales at 800-288-1117.



Front



300 ID: JD-3060-7394-SMS-300R  
400 ID: JD-3060-7394-SMS-400R