

Cross Mount

John Deere

7600,7610,7700,7710,7800,7810

PARTS LIST

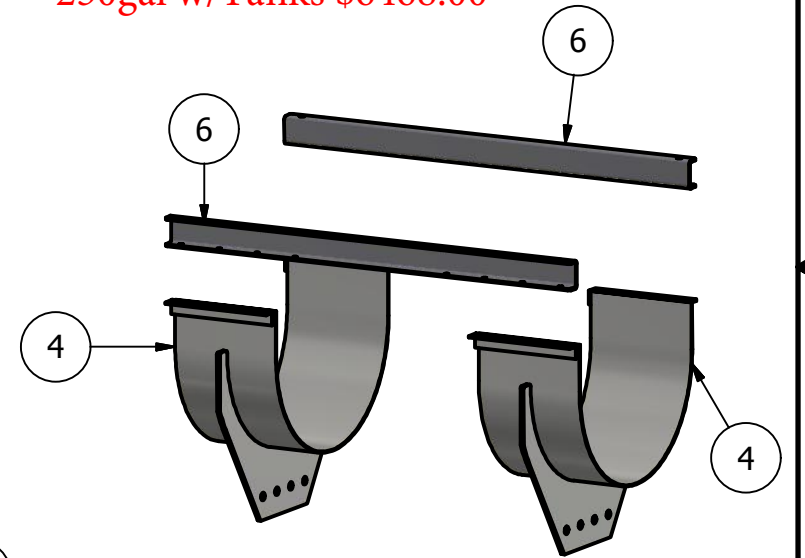
ITEM	QTY	PART NUMBER	DESCRIPTION
1	1	10-1509R	JD 30/60-7000 HC Side Plate R
2	1	10-1203	JD 30/60 Undertruss
3	1	10-1509L	JD30/60-7000 HC Side Plate L
4	4	10-1015	Cross Mount Saddle
5	2	10-1022	7x7x6' tube, black
6	4	10-1016	Green Saddle Channel, Crossmount
7	4	60-1033	4x6 Angle

Bolt List

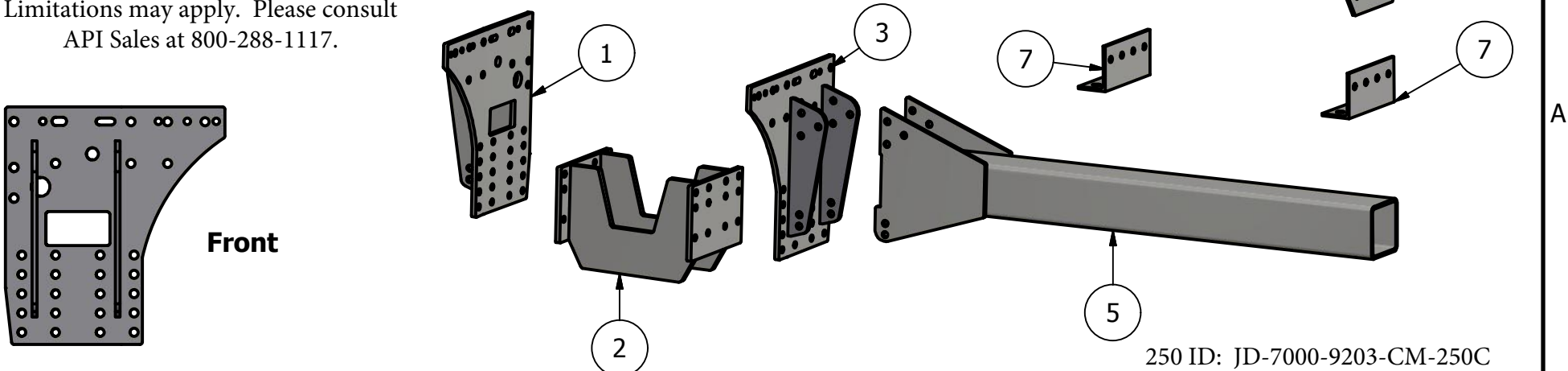
QTY	Description	Placement
14	3/4 x 2 1/2 Bolts	Side Plate to Tractor
24	3/4 x 2 1/2 Bolts	Undertruss to Tractor side Plates
20	3/4 x 2 1/2 Bolts	Tubes to Tractor Plates
12	3/4 x 2 1/2 Bolts	Saddle Conversion to Saddle
4	1 x 7 x 9 Ubolts	Saddle Conversion to Tube
6	20mm x 60mm x 10.9 Bolts	Side Plate to Tractor
8	1 in Lock washers	
8	1 in Nuts	
70	3/4 Lockwashers	
70	3/4 Nuts	
6	20mm Hardened Flatwashers	
2	3M Non-Skid Pads	on Tubes
4	Nylon Strap Assembly	

Price List

250gal w/Tanks \$6468.00



Limitations may apply. Please consult API Sales at 800-288-1117.



250 ID: JD-7000-9203-CM-250C

Front