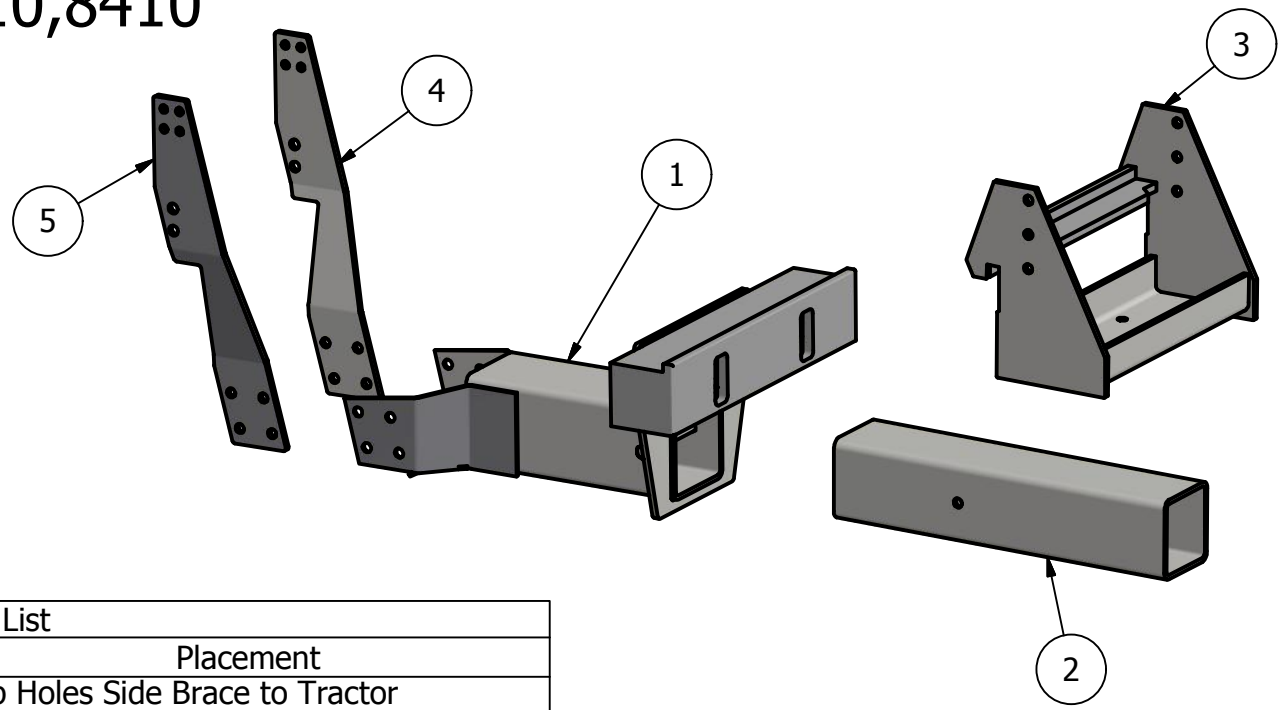


# Front Mount Conv.

John Deere  
8100,8200,8300,8400  
8110,8210,8310,8410

PARTS LIST			
ITEM	QTY	PART NUMBER	DESCRIPTION
1	1	10-1026	8000 FM Receiver tube
2	1	10-1021	JD 8000 7x7x32 tube
3	1	10-1301	8000 FM Hook
4	1	10-1701 L	JD 8000 FM Side Brace LH
5	1	10-1701 R	JD 8000 FM Side Brace RH



CONV ID: JD-8R-9502-FM-CONV

Bolt List		
QTY	Description	Placement
8	5/8 x 2 1/2 Bolts	Top Holes Side Brace to Tractor
8	16mm Hardened Flatwashers	
4	20mm x 110mm x 10.9 Bolts	Bolt Weight Bracket& front Plate to Tractor
4	20mm x 60mm x 10.9 Bolts	Middle Holes on Side Brace to Tractor Bracket to Tractor
8	20mm Hardened Flatwashers	
8	3/4 x 2 1/2 Bolts	Side Braces to Receiver Tube
1	3/4 x 9 Bolt	7 x 7 Tube to Tube Tunnel
2	3/4 x 7 x 9 Ubolts	Hook to 7x7 Tube
6	3/4 x 2 1/2 Bolts	Saddle to Hook
19	3/4 Lockwashers	
19	3/4 Nuts	

**Price List**  
**\$1567.00**

Limitations may apply. Please  
consult API Sales at  
800-288-1117.