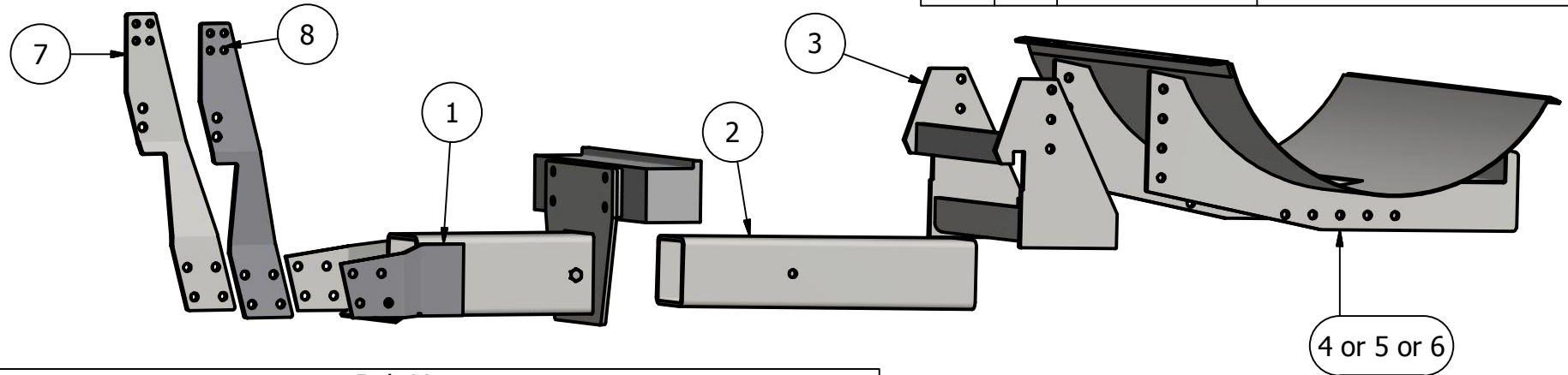


# Front Mount

John Deere  
8100,8200,8300,8400  
8110,8210,8310,8410

## PARTS LIST

| ITEM | QTY | PART NUMBER | DESCRIPTION              |
|------|-----|-------------|--------------------------|
| 1    | 1   | 10-1026     | 8000 FM Receiver tube    |
| 2    | 1   | 10-1021     | JD 8000 7x7x32 tube      |
| 3    | 1   | 10-1301     | 8000 FM Hook             |
| 4    | 1   | 10-1011     | 300 Saddle               |
| 5    | 1   | 10-1012E    | 300 Ellip Saddle         |
| 6    | 1   | 10-1013     | 400 Saddle               |
| 7    | 1   | 10-1701 L   | JD 8000 FM Side Brace LH |
| 8    | 1   | 10-1701 R   | JD 8000 FM Side Brace RH |



### Bolt List

| QTY | Description               | Placement  |
|-----|---------------------------|--|
| 8   | 5/8 x 2 1/2 Bolts         | Top Holes Side Brace to Tractor                          |
| 8   | 16mm Hardened Flatwashers |  |
| 4   | 20mm x 110mm x 10.9 Bolts | Bolt Weight Bracket & front Plate to Tractor             |
| 4   | 20mm x 60mm x 10.9 Bolts  | Middle Holes on Side Brace to Tractor Bracket to Tractor |
| 8   | 20mm Hardened Flatwashers |  |
| 8   | 3/4 x 2 1/2 Bolts         | Side Braces to Receiver Tube                             |
| 1   | 3/4 x 9 Bolt              | 7 x 7 Tube to Tube Tunnel                                |
| 2   | 3/4 x 7 x 9 Ubolts        | Hook to 7x7 Tube   |
| 6   | 3/4 x 2 1/2 Bolts         | Saddle to Hook   |
| 19  | 3/4 Lockwashers           |  |
| 19  | 3/4 Nuts                  |  |
| 2   | Nylon Straps              |  |

### Price List

300 gal w/Tank \$3234.00  
300 gal Elliptical w/Tank \$3552.00  
400 gal w/Tank \$3588.00

Limitations may apply. Please consult API Sales at 800-288-1117.

300 ID: JD-8R-9502-FM-300R  
300E ID: JD-8R-9502-FM-300E  
400 ID: JD-8R-9502-FM-400R