

2

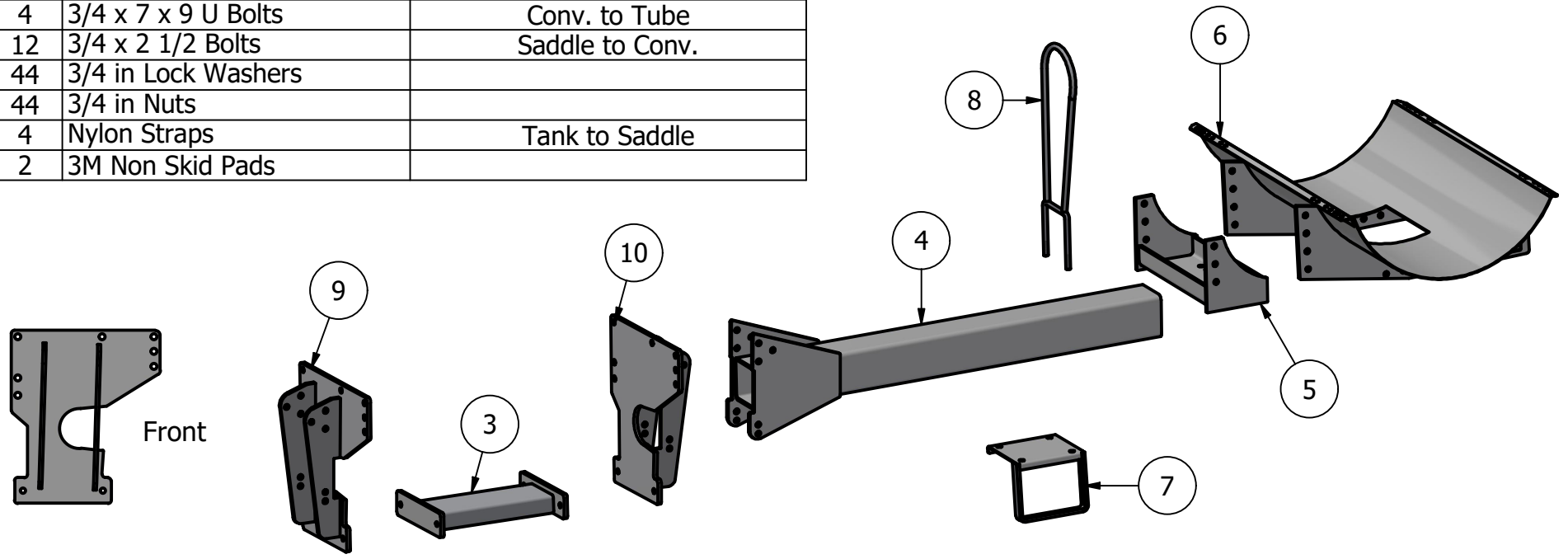
Side Mount Case IH Magnum Mid Range

180, 190, 210, 225 (2009-2010)
200, 220, 240 (2014)

1

PARTS LIST			
ITEM	QTY	PART NUMBER	DESCRIPTION
3	1	20-1209	CS Magnum 180-225 Undertruss
4	2	20-1022	7x7x6' tube, black
5	2	20-1800	Saddle Conv.
6	2	20-1011	300 Saddle
7	1	30-1903	Step bottom Bracket
8	1	30-1902	Step Handle
9	1	20-1416R	Side Plate RH Mid Range 2014
10	1	20-1416L	Side Plate LH Mid Range 2014

Bolt List		
QTY	Description	Placement
12	20 mm x 60 mm Bolts	Side Plate to Tractor
2	20 mm x 75 mm Bolts	Step to Side Plates to Tractor
14	20 mm Harden Flatwashers	
4	3/4 x 2 1/2 Bolts	Side Plates to Undertruss
20	3/4 x 2 1/2 Bolts	Side plate to Tube
4	3/4 x 7 x 9 U Bolts	Conv. to Tube
12	3/4 x 2 1/2 Bolts	Saddle to Conv.
44	3/4 in Lock Washers	
44	3/4 in Nuts	
4	Nylon Straps	Tank to Saddle
2	3M Non Skid Pads	



2

1

1