

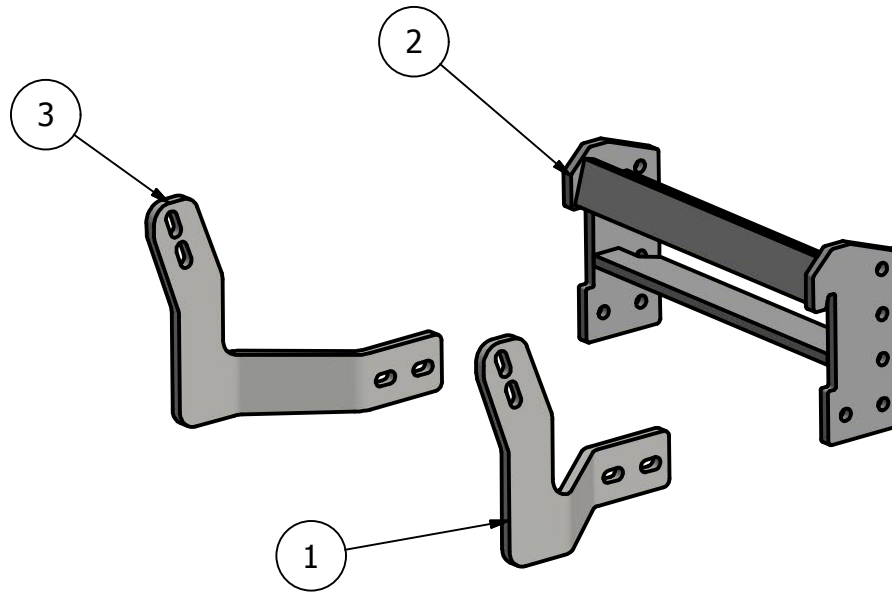
# Front Mount Conv. Massey Ferguson

8650,8660,8670,8680,8690

PARTS LIST			
ITEM	QTY	PART NUMBER	DESCRIPTION
1	1	30-1706R	MF 8600 Front Side Brace RH
2	1	30-1303	MF 8600 Front Hook
3	1	30-1706L	MF 8600 Front Side Brace LH

Price List  
\$925.00

Limitations may apply. Please consult  
API Sales at 800-288-1117.



Bolt List		
QTY	Description	Placement
4	20 mm x 60 mm Bolts	Side brace to Tractor
8	3/4 x 2 1/2 Bolts	Tractor Brackets to Saddle
2	3/4 x 3 1/2 Bolts	Tractor Side Brace to Hook
4	20 mm Hardened Flatwashers	
10	3/4" Lockwashers	
10	3/4" Nuts	
2	Nylon Straps	Tank to Saddle

CONV ID: AMC-MF8600-0913-FM-CONV