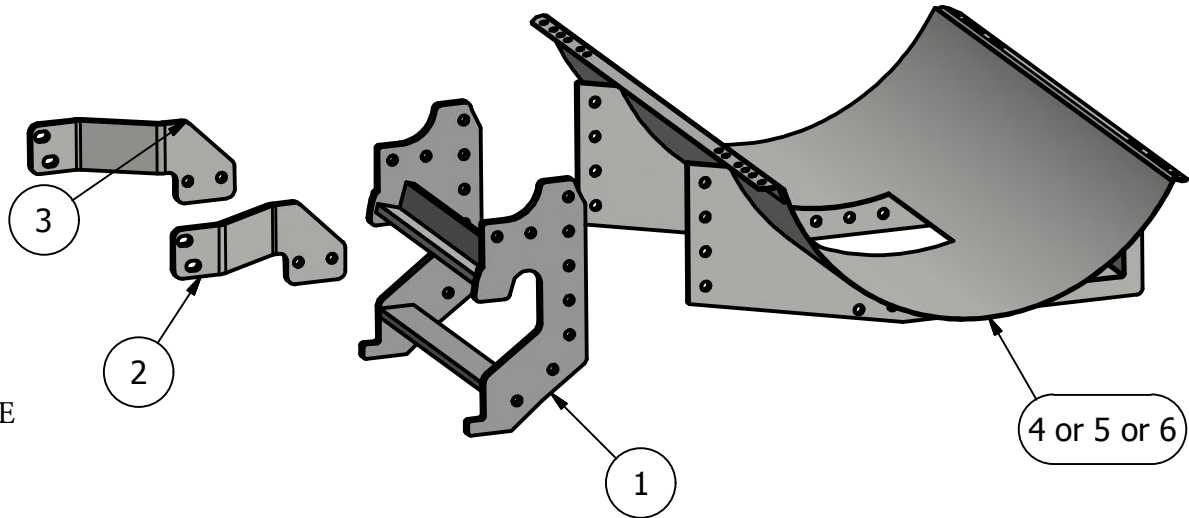


**Front Mount
 CAT Challenger
 MT645C, MT655C, MT665C
 MT675C, MT685C
 MT645D, MT655D, MT665D
 MT675D, MT685D
 MT645E, MT655E, MT665E
 MT675E, MT685E**

PARTS LIST			
ITEM	QTY	PART NUMBER	DESCRIPTION
1	1	30-1300	Cat MT 600 b & c Series Hook
2	1	30-1703 L	MT 600 c FT Side Brace LH
3	1	30-1703 R	MT 600 c FT Side Brace RH
4	1	20-1011	300 Saddle
5	1	20-1012E	300 Ellip Saddle
6	1	20-1013	400 Saddle



300 ID: AMC-MT600CDE-09CU-FM-300R
 300E ID: AMC-MT600CDE-09CU-FM-300E
 400 ID: AMC-MT600CDE-09CU-FM-400R

Bolt List		
QTY	Description	Placement
4	20 mm x 60 mm Bolts	Side brace to Tractor
12	3/4 x 2 1/2 Bolts	Tractor Brackets to Saddle
4	20 mm Hardened Flatwashers	
12	3/4" Lockwashers	
12	3/4" Nuts	
2	Nylon Straps	Tank to Saddle

Price List
 300 gal w/Tank \$2245.00
 300 gal Elliptical w/Tank \$2554.00
 400 gal w/Tank \$2594.00

Limitations may vary. Please consult
 API Sales at 800-288-1117.