

Side Mount New Holland

TG210, TG230, TG255, TG285
TG215, TG245, TG275, TG305
T8010, T8020, T8030, T8040, T8050

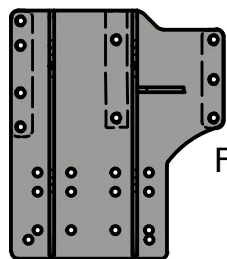
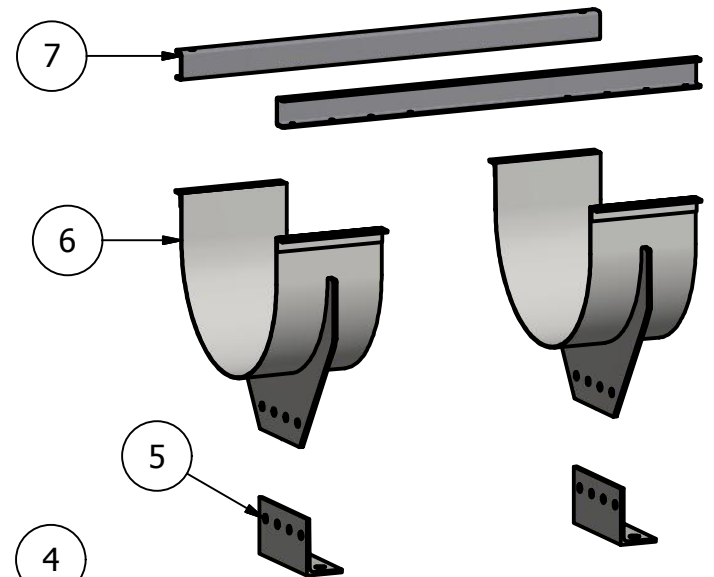
250 ID: NHB-TGT-0310-CM-250C

Bolt List

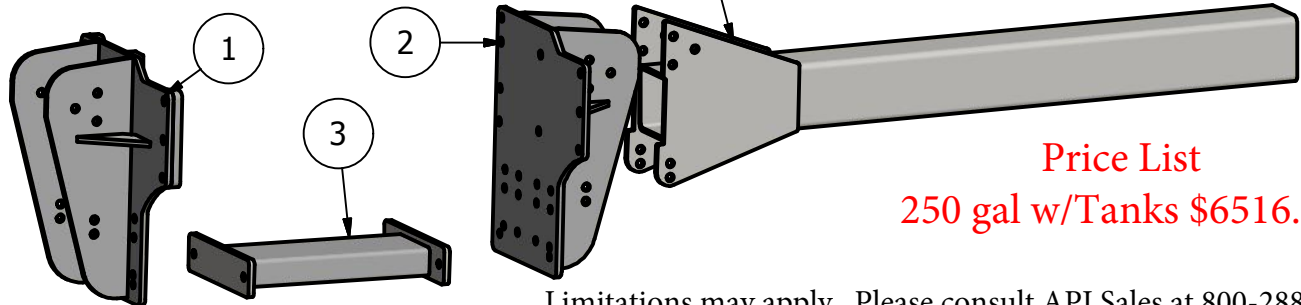
QTY	Description	Placement
9	20 mm x 60 mm Bolts LH	Side Plate to Tractor
9	20 mm x 90 mm Bolts RH	Side Plate to Tractor
18	20 mm Harden Flatwashers	
4	3/4 x 2 1/2 Bolts	Side Plates to Undertruss
20	3/4 x 2 1/2 Bolts	Side plate to Tube
4	1 x 7 x 9 U Bolts	Angle to Tube
16	3/4 x 2 Bolts	Saddle to Angle
16	3/8 x 1 Bolts	Top Channel to Saddle
40	3/4 in Lock Washers	
40	3/4 in Nuts	
8	1 in Lock Washers	
8	1 in Nuts	
16	3/8 in Flange Nuts	
4	Nylon Straps	Tank to Saddle

PARTS LIST

ITEM	QTY	PART NUMBER	DESCRIPTION
1	1	40-1402R	Side Plate RH Terra Glide
2	1	40-1402L	Side Plate LH Terra Glide
3	1	40-1202	New Holland Undertruss TG
4	2	20-1022	7x7x6' tube, black
5	4	60-1033	4 x 6 Angle
6	4	20-1015	Cross Mount Saddle
7	4	20-1016	Cross Mount Top Channel



Front



Price List
250 gal w/Tanks \$6516.00

Limitations may apply. Please consult API Sales at 800-288-1117.